



LuxStudio

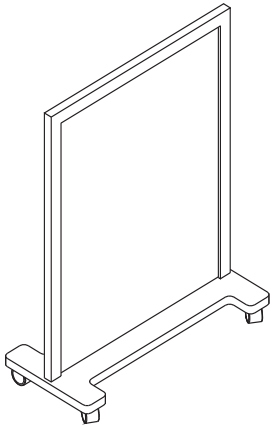
Happi Smart Frame



Australian made | ISO 14001 Certified | 4-6 week lead time

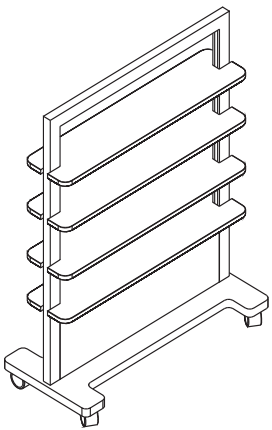
Happi Smart Whiteboard

W1200mm x D600mm x H1700mm



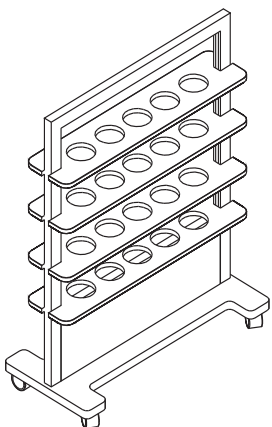
Happi Smart Shelving

W1200mm x D600mm x H1700mm



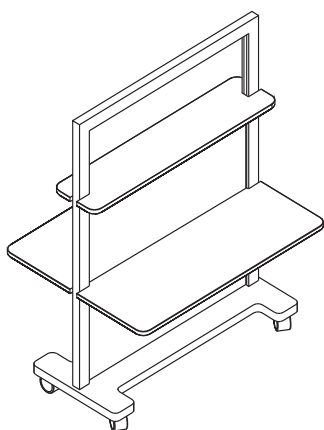
Happi Smart Biofill

W1200mm D600mm x H1700mm



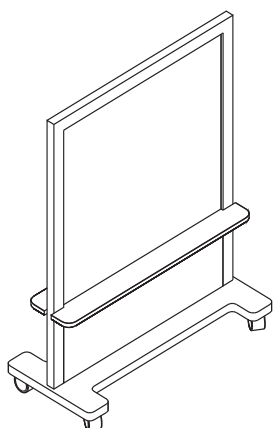
Happi Smart Laptop Station

W1200mm x D950mm x H1700mm



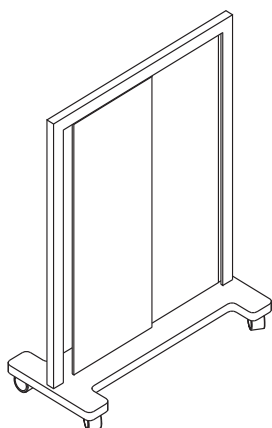
Happi Smart AV Board

W1200mm x D600mm x H1700mm



Happi Smart Sliding Screen

W1200mm x D600mm x H1700mm





Happi Smart Frame

The Happi Smart Frame is made for agile workspaces and educational facilities with lockable high-performance castors for mobility.

Happi's Smart Frame is made from timber and can be customised with a combination of board inserts and shelving to suit the intended application.

These customisations also include different finishes such as staining of the plywood, and options for whiteboard, PET panel, or melamine inserts and shelving.

This range is Australian-made and Australian designed in an ISO 14001 certified facility.

Material	Timber frame Optional melamine, PET panel, whiteboard
Lead time	4-6 weeks
Warranty	5 years
Certified	ISO 14001

